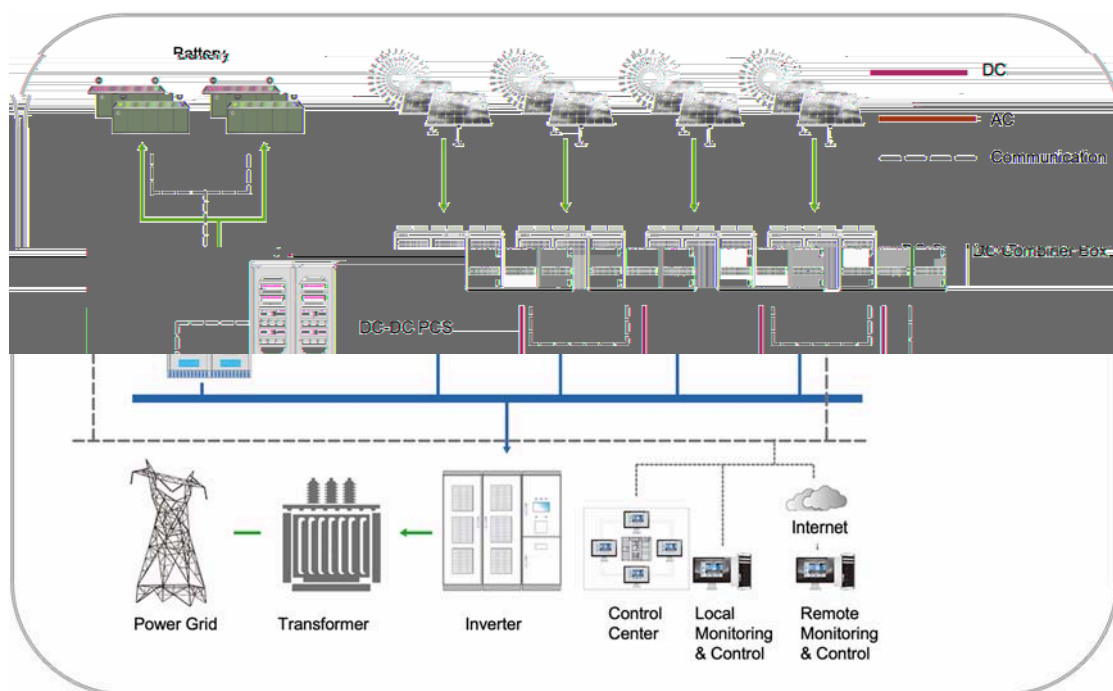
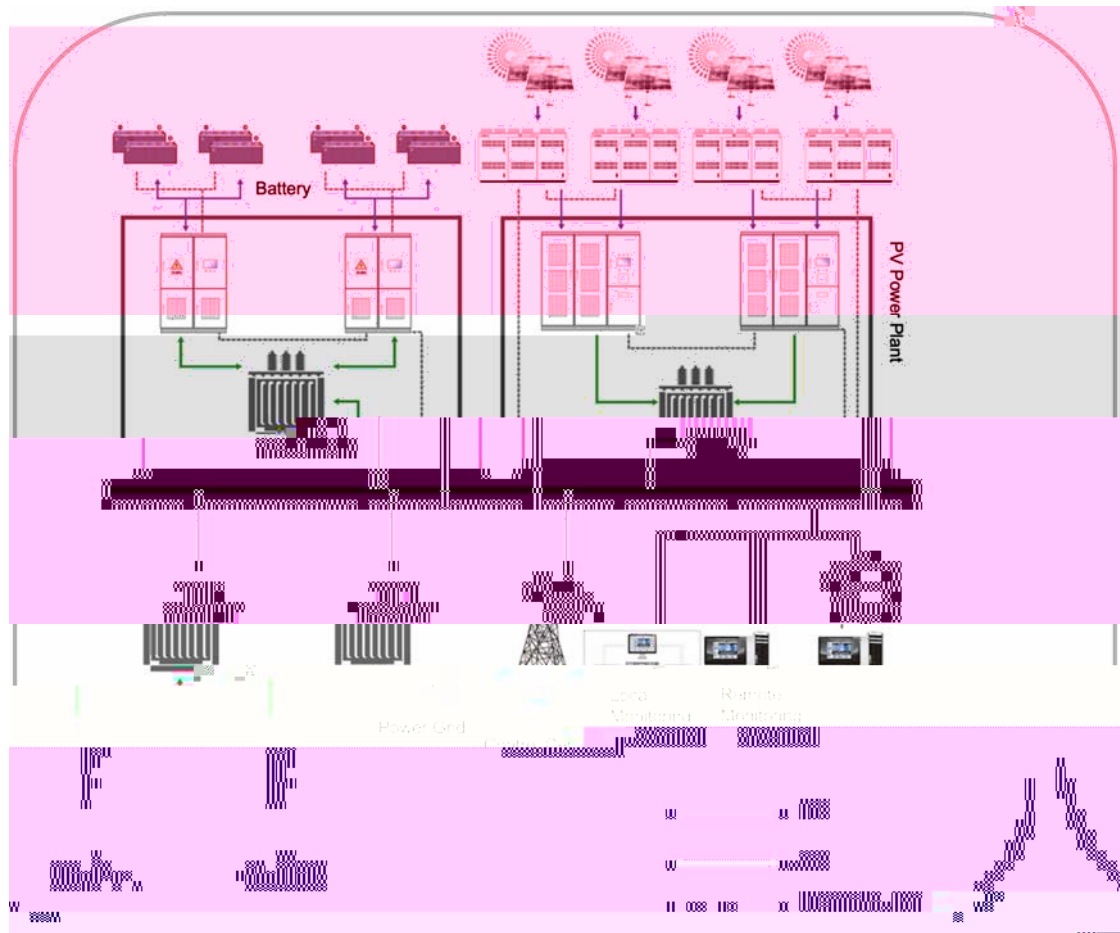


.....	1
1.1.1 DC Busbar Solution .....	1
1.1.2 AC Busbar Solution .....	2
1.1.3 Thermal and BESS Joint Frequency Regulation Solution .....	3
1.3.1 Industrial/Commercial BESS Solution .....	5
1.3.2 Photovoltaic-BESS-Charging Solution.....	6
1.4.1 DC Busbar Solution.....	7
1.4.2 AC Busbar Solution .....	7
1.4.3 No-Power Area Solution.....	8
.....	9

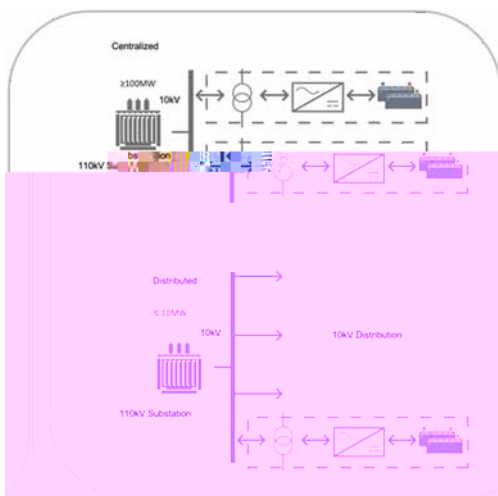
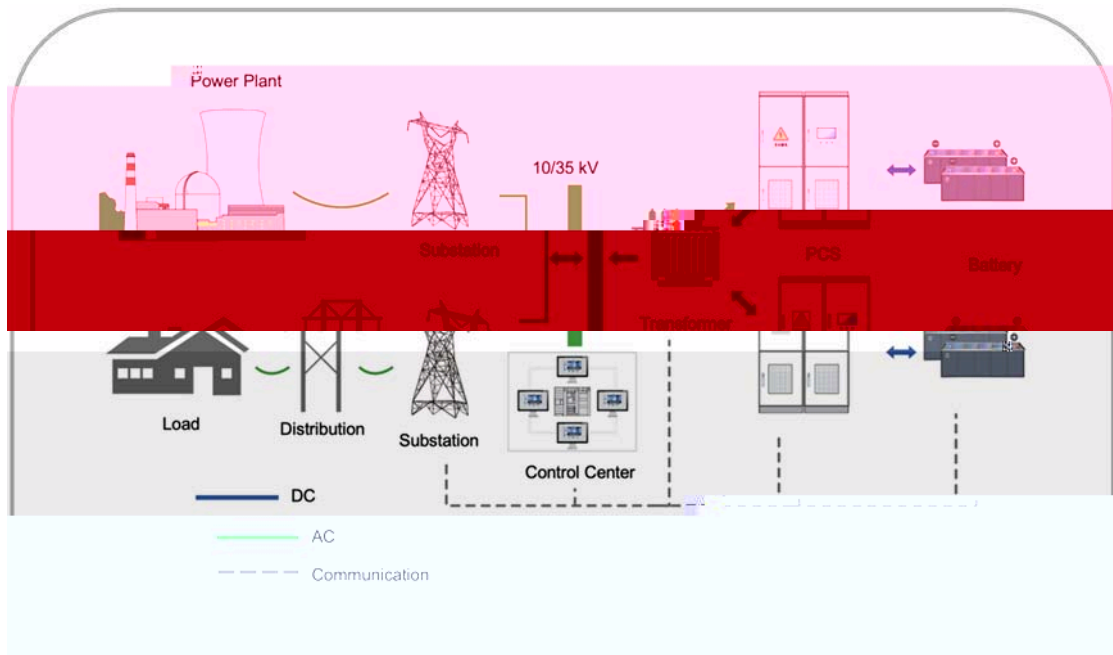
### 1.1.1 DC Busbar Solution

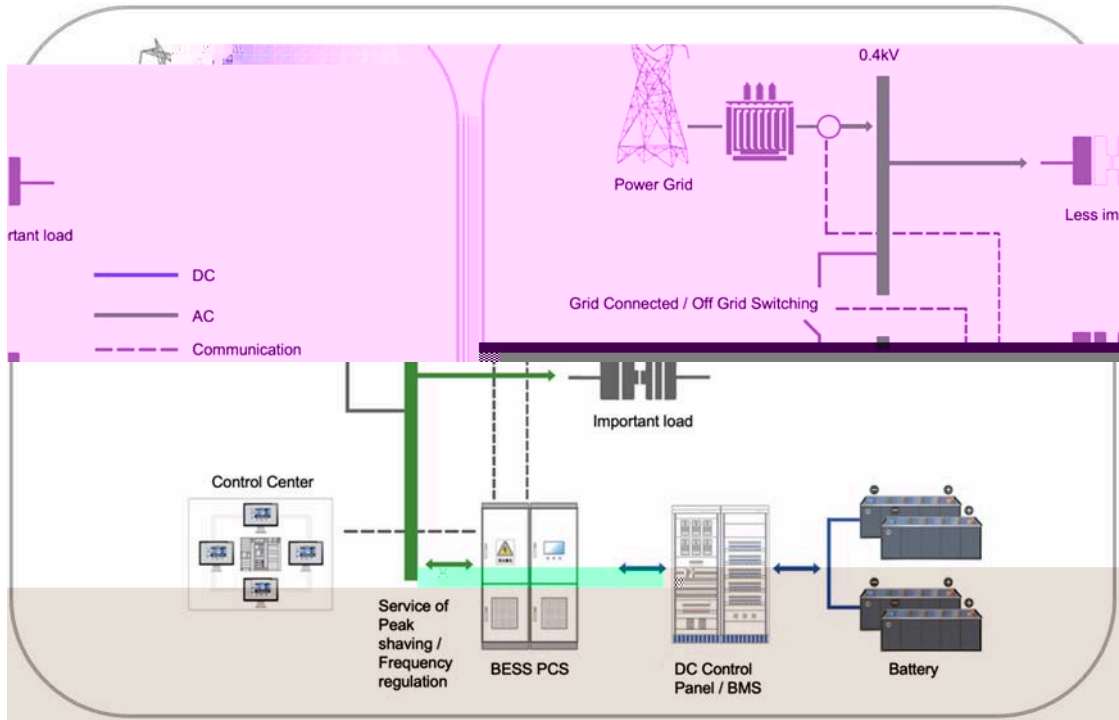


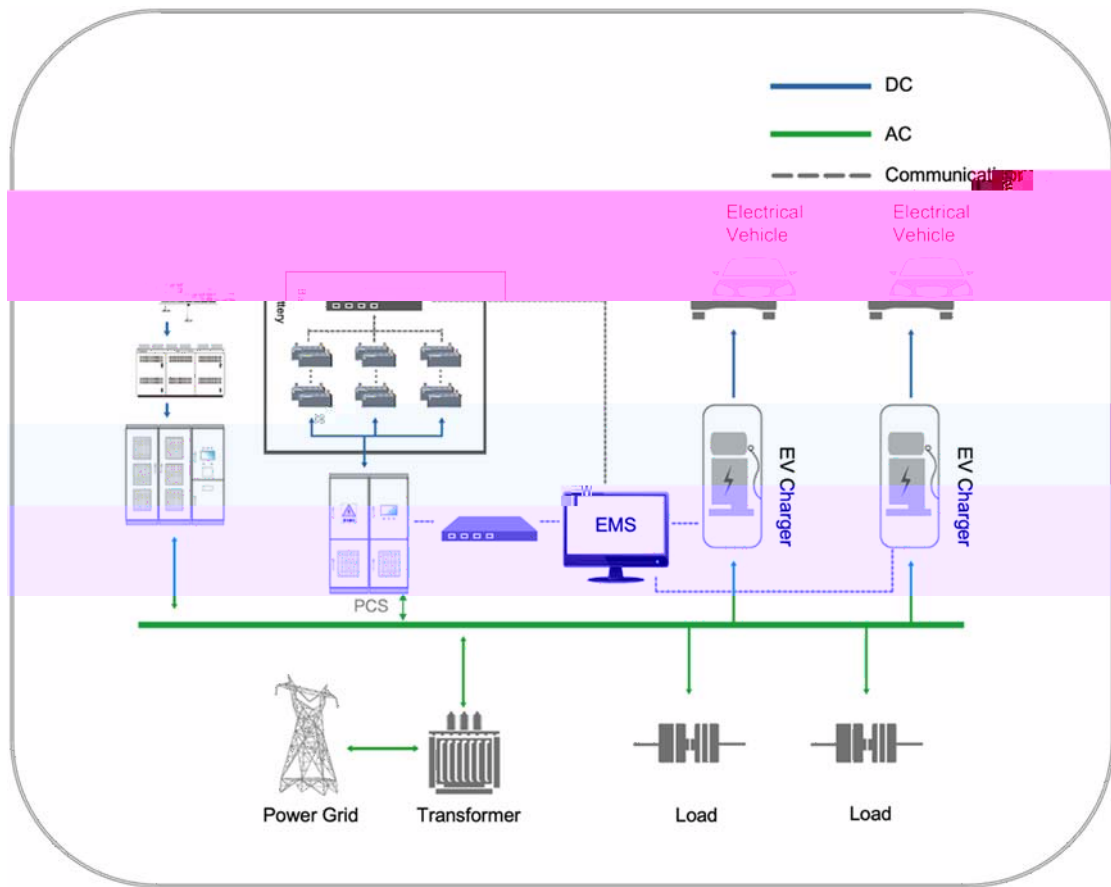
- High Efficiency
- Lower Investment
- Middle & Small System suitable



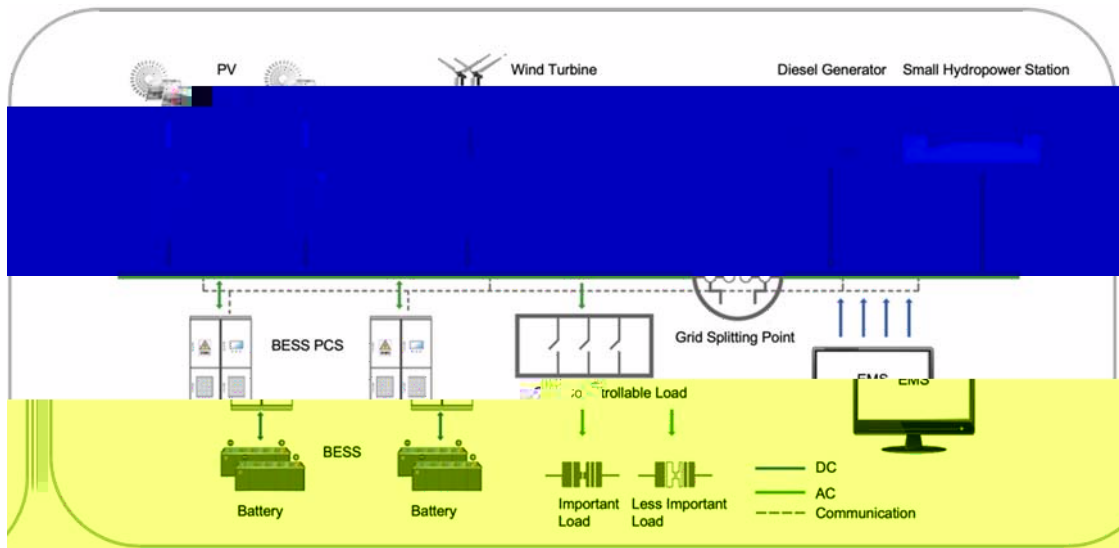
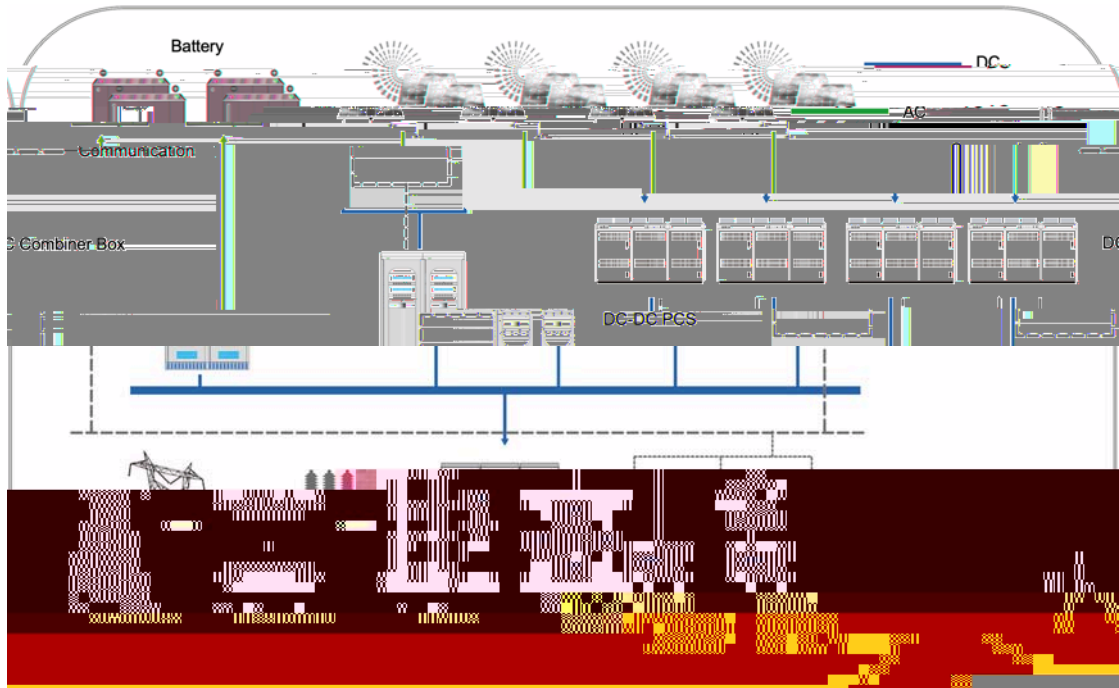


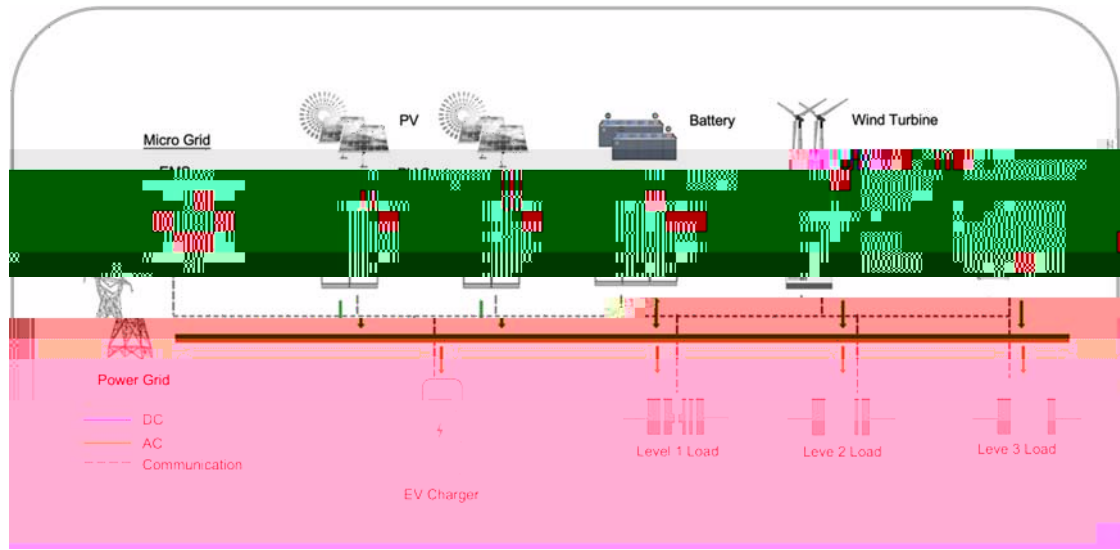


















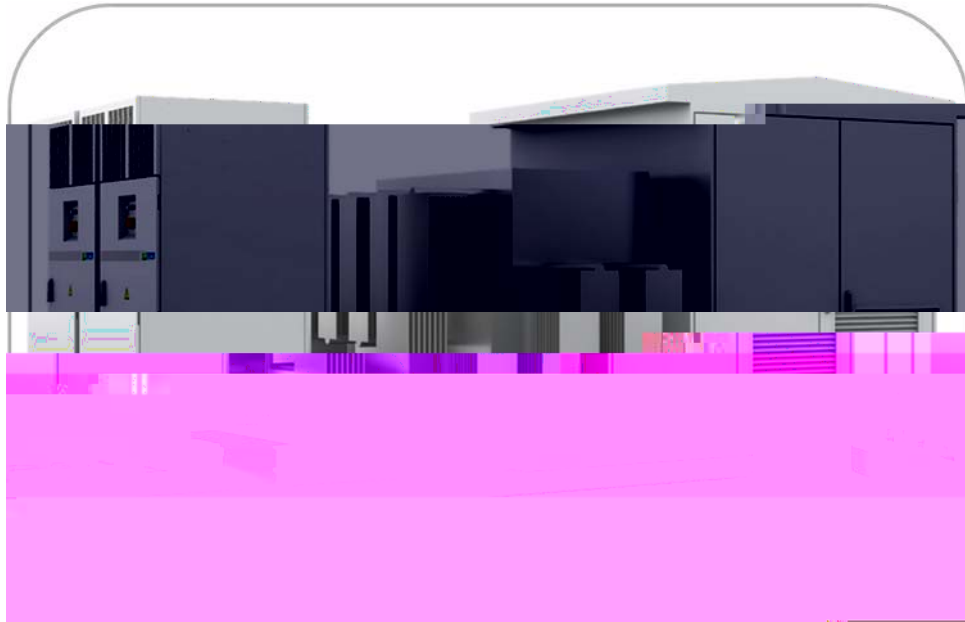












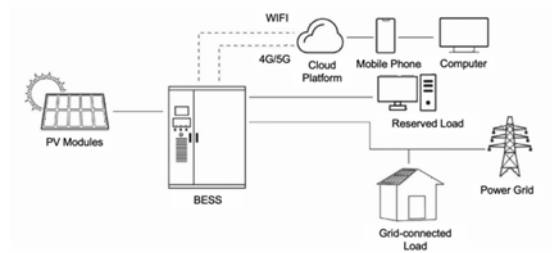










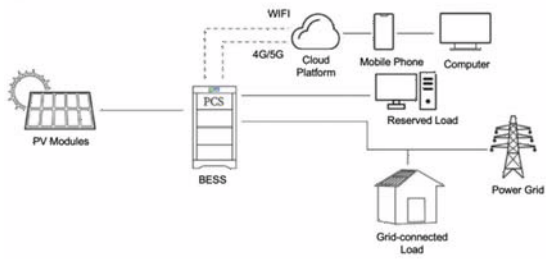






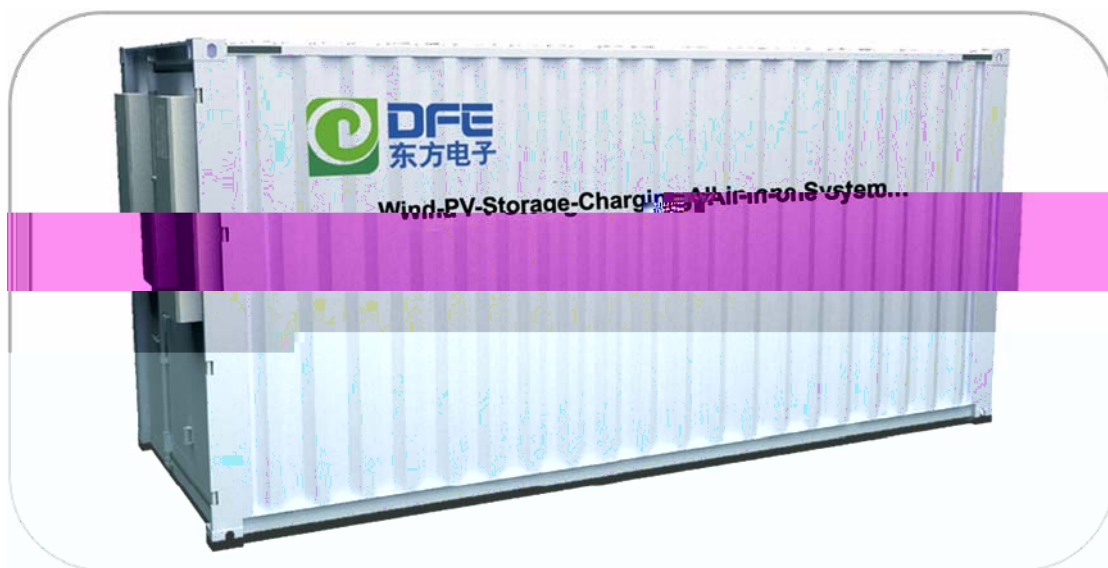




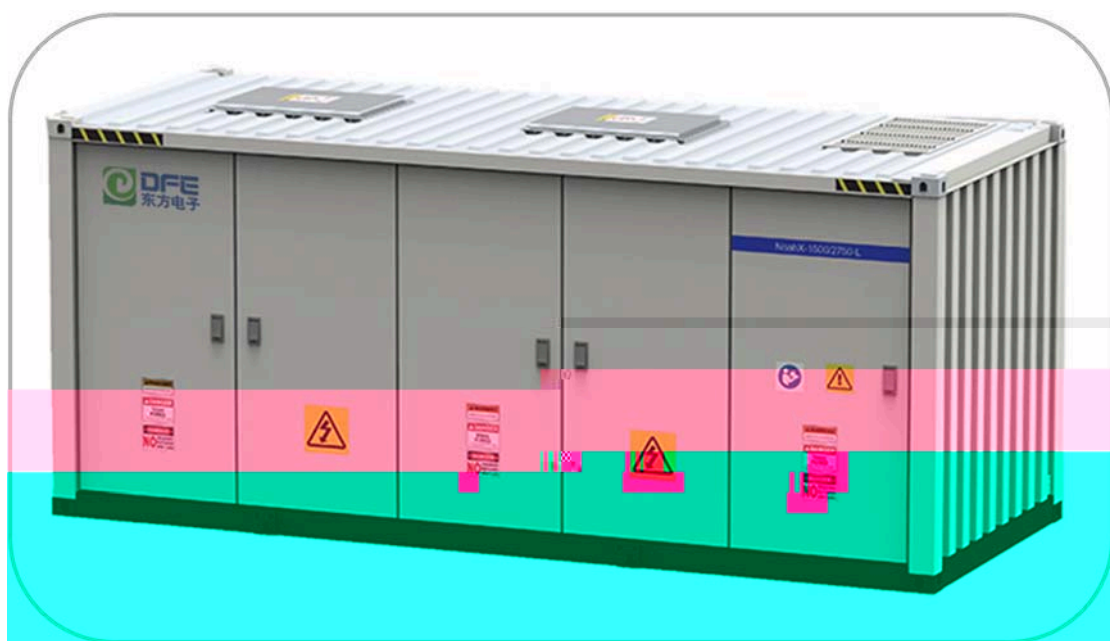



## Technical Specification



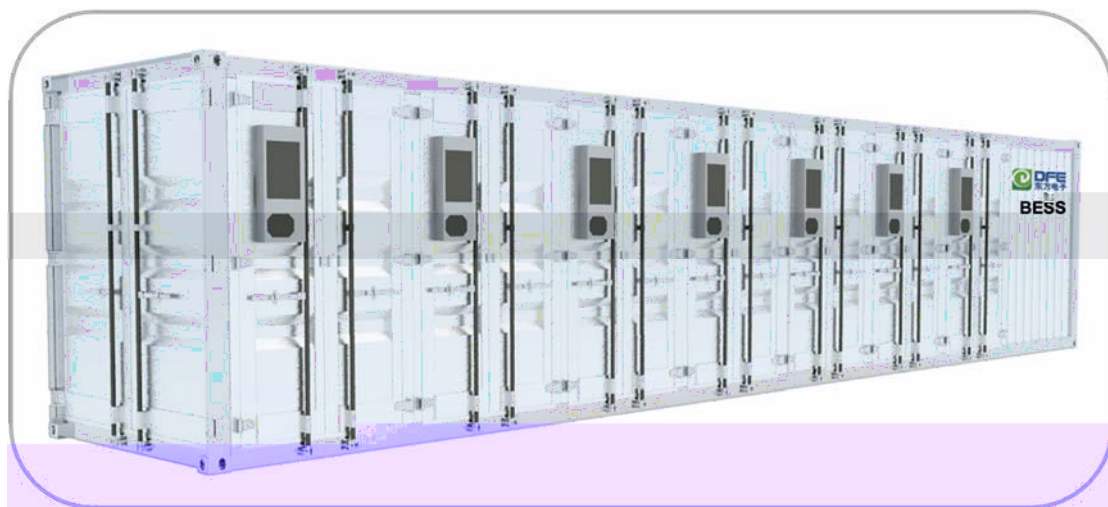




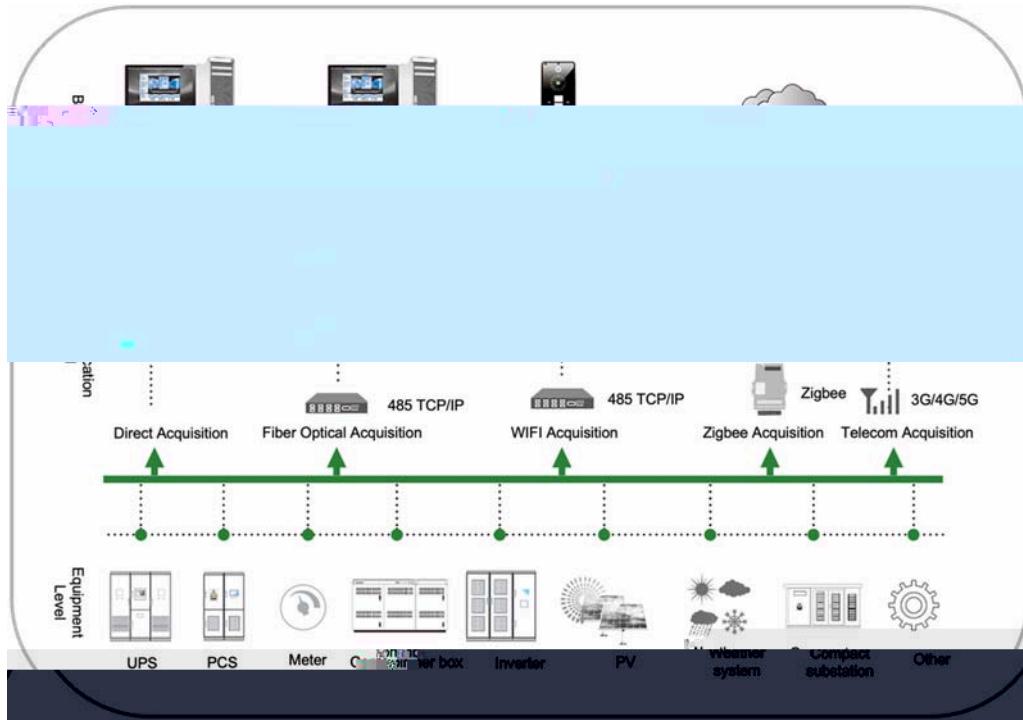














---

---

