



# **1. General Overview**

## **1.1 Application**

=:

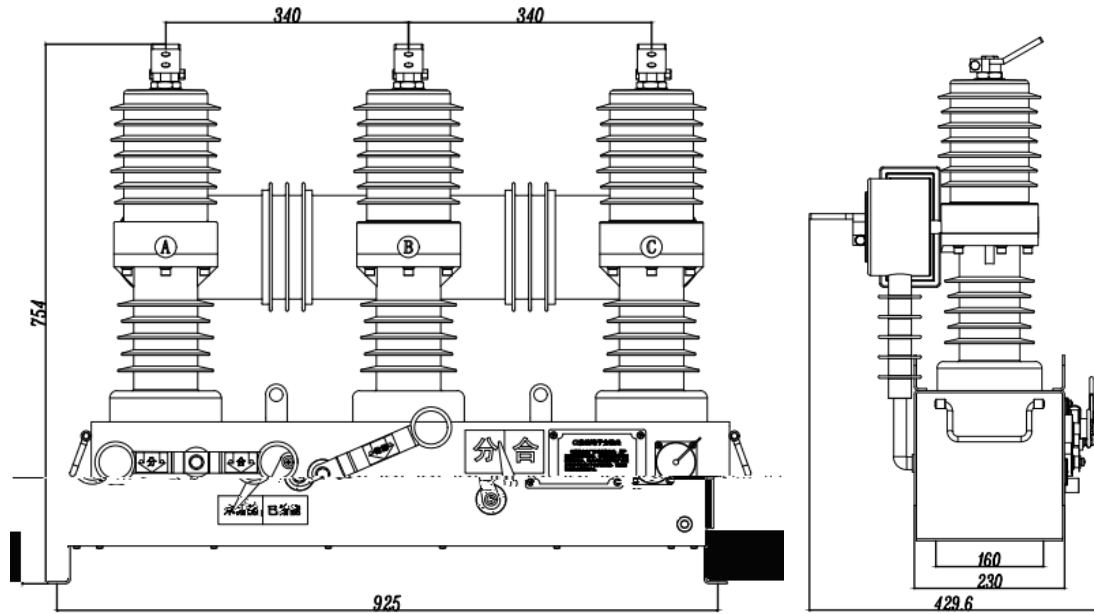
&DWDORJXH

&RPSRVLWLRQ DQG PHDQLQJ RI WKH SURGXFW

(QYLURQPHQWDO FRQGLWLRQV RI XVH

1R	1DPH	8QLW	6WDQGDU	UG SDUD
	0D[LXP WHPSHUDWXUH			
	\$PELHQW DLRZHVW 7HPSHUDWXUH			
	WHPSHUDWXUHXP GDLO\ WHPSHUDWXUH			
	GLIIHUHQFH			
	(OHYDWLRQ		P	"
	6RODU UDGLDWLRQ LQWHQVLW\		RXWGRRU	: FP
	)LOWK OHYHO			á
	7KLFNQHVV\ RI LFH		FRYRP	
	:LQG VSHHG ZLQG SUHVXUH		RXWGRRU	P V 3D
	\$YHUDJH GDLO\ UHODWLYH			"
	+XPLGLW\ KXPLGLW\			
	\$YHUDJH PRQWKO\ UHODWLYH			"
	KXPLGLW\			
	(DUWKXDNH +RUL]RQWDO			
	UHVLVWDQW DFFHOHUDWLRQ YHUWLFDO		J15g	
	FDSDFLW\ DFFHOHUDWLRQ			
	6LQH UHVRQDQW WULSOH ZDYH ZLWK VDIHW\			

### 1.4 Equipment size





## **2. Basic components**

### **2.1 Vacuum interrupter**

### **2.2 Operating mechanism**

### **2.3 Current Transformer**

## **3. Features**

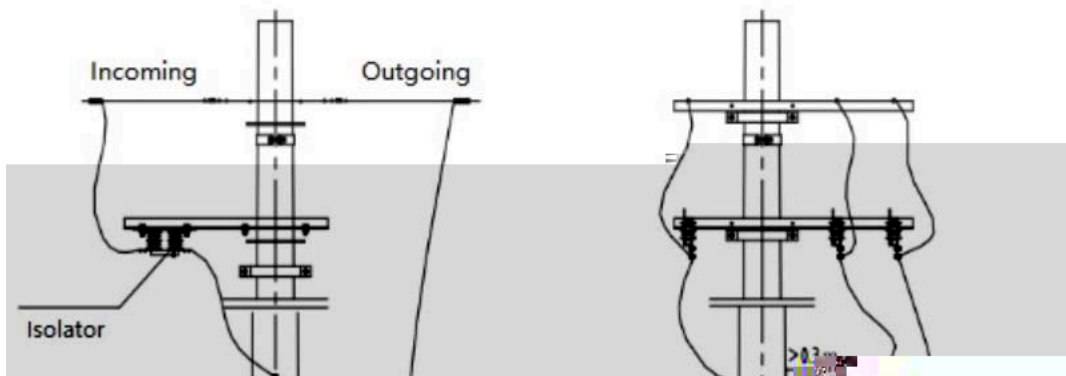
## **4. Installation and commissioning**

### **4.1 Lifting of equipment**

### **4.2 Fixing of equipment**

### **4.3 On-site installation guidance**

## Installation schematic





## **4.4 Field trials**

### **Insulation withstand voltage test**

**A.) Test 1 to ground operating procedures:**

**B.) Test 2 interphase operating procedure:**

**C.) Test 3 fracture operation procedure:**

## **5. Application and Maintenance**

**"WARNING"**

### **Application**

Dongfang Electronics International Engineering Co., Ltd.

Dongfang Electronics Co., Ltd.

Address: 2 Jichang Road, Yantai, Shandong Province, P.R. China, 264000

Tel: +86-535-5520925

Fax: +86-535-5520930

Email: [idf@dongfang-china.com](mailto:idf@dongfang-china.com)

Website: <http://www.dongfang-china.com/en>



THE INFORMATION CONTAINED IN THIS DOCUMENT IS THE PROPERTY OF DONGFANG ELECTRONICS INTERNATIONAL ENGINEERING CO., LTD. ALL RIGHTS RESERVED.